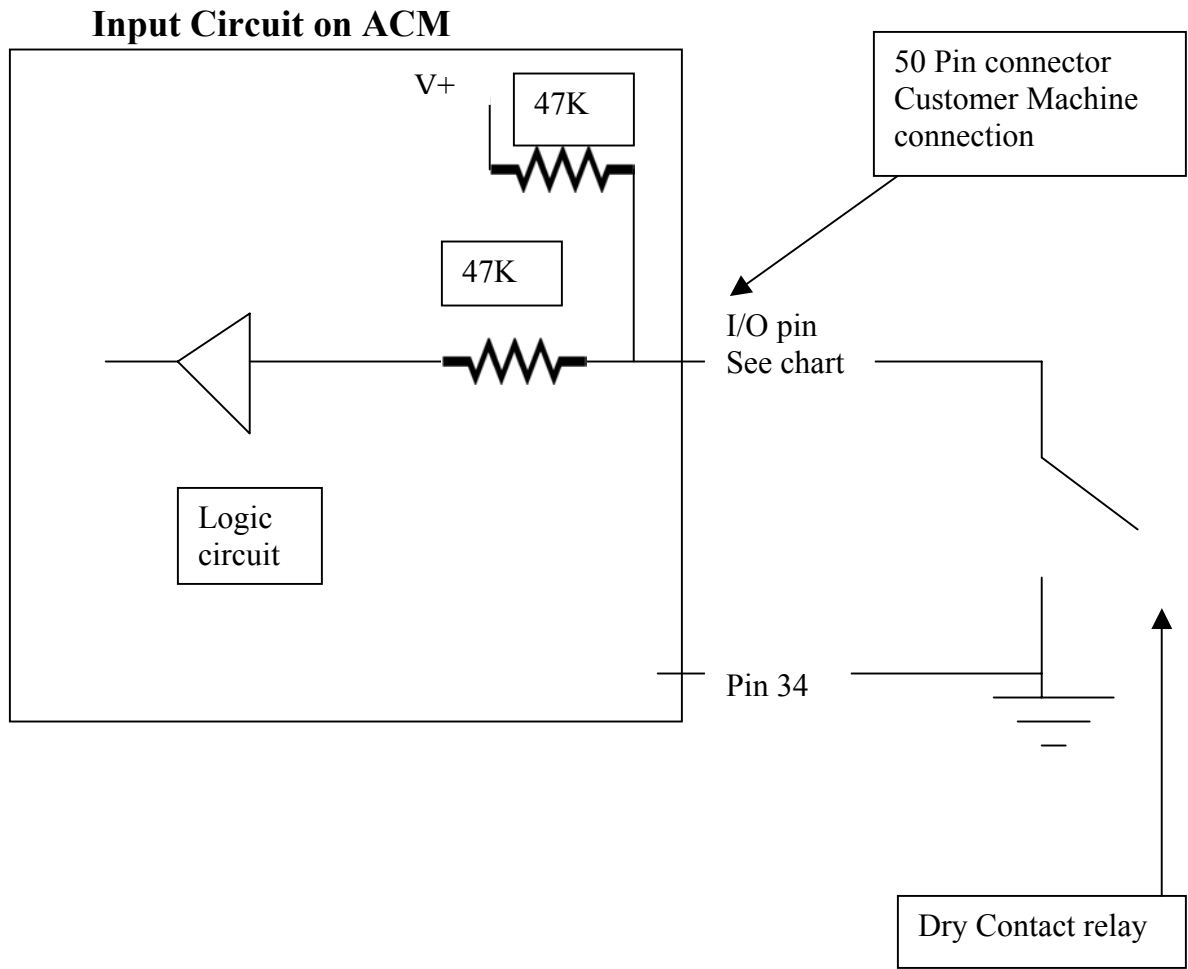
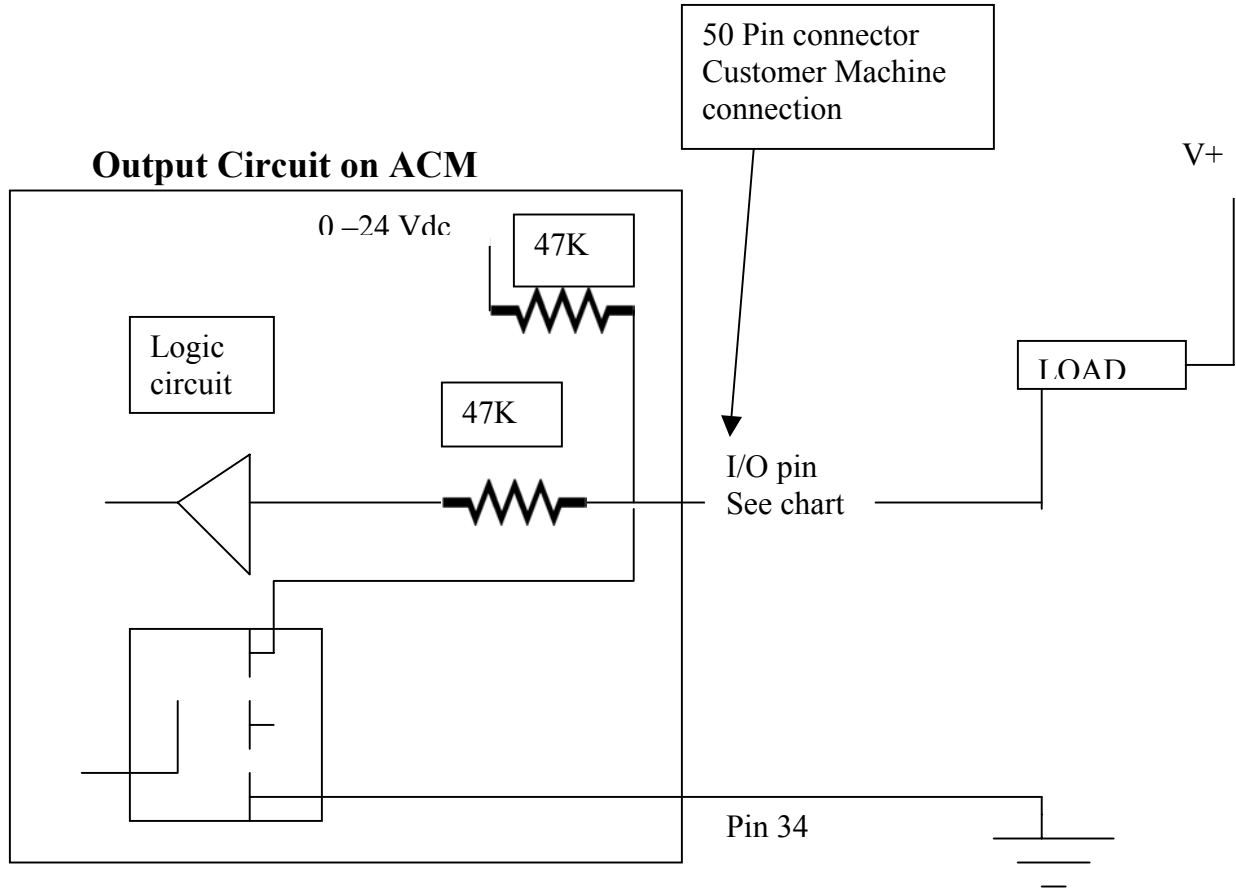


# Sample of circuit Acquisition Control Module digital inputs



# Sample of circuit Acquisition Control Module digital outputs



V+ can be external 24V or connect to pin 17 of the 50 pin connector